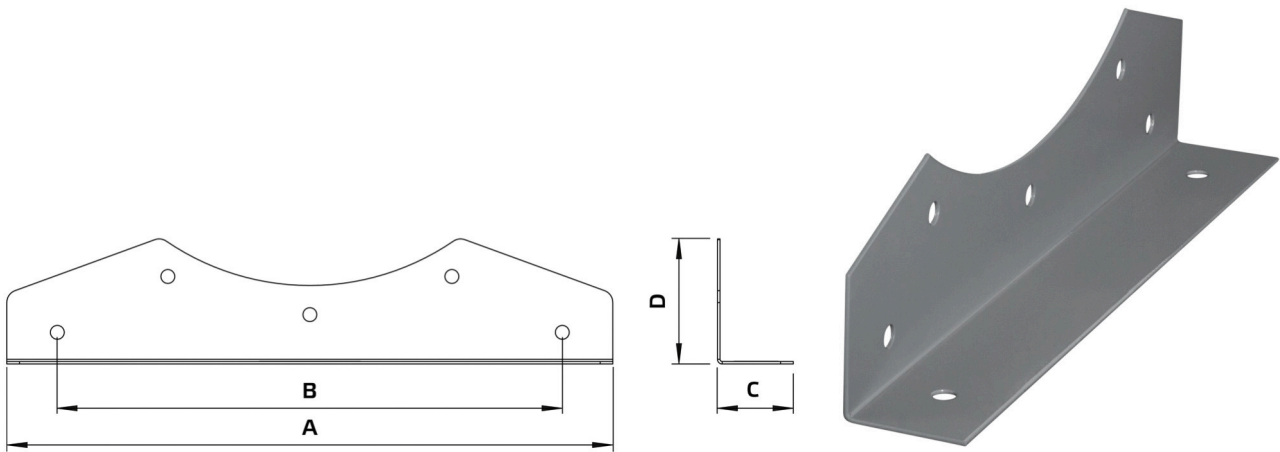


Datasheet

Product type: **Mounting foot**
 Product ID: 154809
 Product name: FAL 500



A	mm	590
B	mm	500
C	mm	70
D	mm	99
Weight	kg	1.3

- Mounting foot for Axialine
- Sheet steel, powder-coated
- Suitable for outdoor installation

Use:

- AL 500 D4 01
- AL 500 EC 01
- AL 500 D2 01
- AL 500 D4 F4 01
- AL 500 D2 F4 01